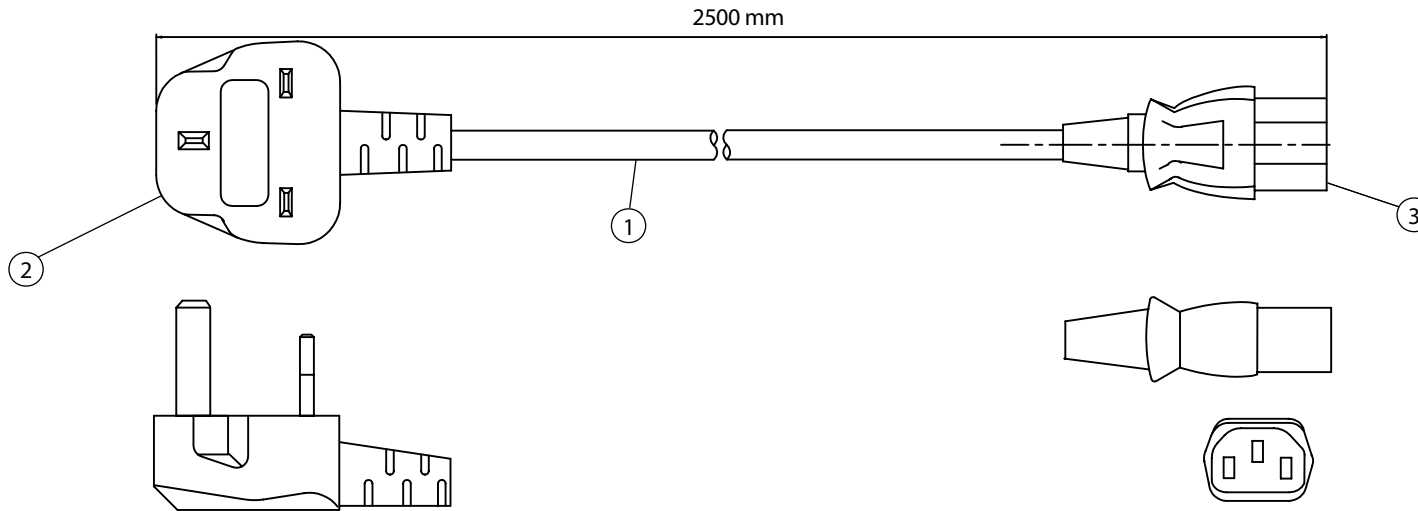


THESE DRAWINGS ARE THE PROPERTY OF QUALTEK ELECTRONICS AND NOT TO BE REPRODUCED FOR OR COMMUNICATED TO A THIRD PARTY WITHOUT THE EXPRESS WRITTEN PERMISSION OF AN OFFICER OF QUALTEK ELECTRONICS.

REVISION			
REV.	DESCRIPTION	DATE	APPROVED
B	RoHS Compliancy	06-01-06	DP



CONTROLLED

NOTES:

1. CORDAGE: HO5VV-F, 3x1.00mm, CEE COLOR CODE, TEMP. RATING 70°C, RATING: 250V, 10A, JACKET COLOR: BLACK
2. PLUG: UK PLUG BS1363A (SUPPLIED WITH 13A FUSE)
3. CONNECTOR: IEC 60320 C13
4. APPROVALS: UNITED KINGDOM
5. ROHS COMPLIANT

Dim range (mm)		Tolerance +/- (mm)		Qualtek Electronics Corp. PPC DIVISION		
0-1		0.15		Part Number: 370001-E01 RoHS Compliant		
1-6		0.20		Description: POWER CORD		
6-18		0.30		UNIT: mm REV. B		
18-50		0.50		Approved / Date		
50-120		0.70		Drawn / Date	Checked / Date	Approved / Date
120-250		0.90		S.TSAI 06-18-96	06-18-96	JJH / 06-18-96
250-500		1.20				